

# LBC 3951/11 Ceiling Loudspeaker

www.boschsecurity.com



**BOSCH**  
Invented for life



- ▶ Compact yet powerful
- ▶ Very wide opening angle
- ▶ Modern unobtrusive styling
- ▶ Installation friendly
- ▶ Splash - waterproof

The LBC 3951/11 is a compact, 6 W loudspeaker with a perforated metal grille. It has excellent audio performance and is easy to install with its integral mounting clips. The loudspeaker is IPx4 water protected from the front so it can be installed in humid environments.

## Functions

The LBC 3951/11 has a perforated metal grille with a plastic surround, finished in an attractive off-white RAL color. The unobtrusive styling of this loudspeaker complements today's interior lighting.

The loudspeaker feature a very wide opening angle, which means fewer units are required to cover a given area. The wide frequency range means better speech and music reproduction. The unit is supplied with a 100 V matching transformer with taps on the primary winding for full-power, half-power, quarter-power and eighth-power radiation.

The loudspeaker (with special treated paper cone), is IPx4 water protected from the front and can be applied in humidity environments for example bathrooms, saunas, atriums and swimming pool areas.

## Certifications and approvals

All plastic parts are manufactured from self-extinguishing high-impact ABS material (according to UL 94V0).

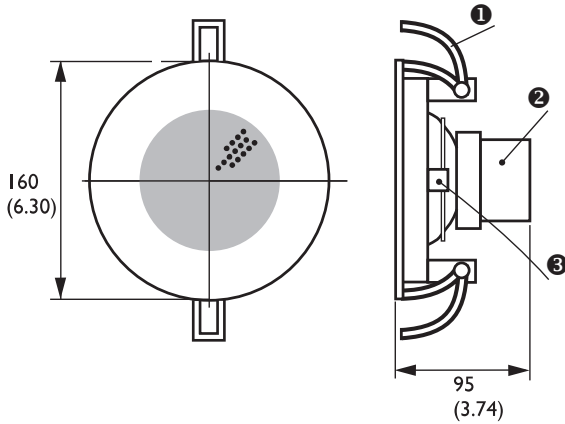
All Bosch loudspeakers are designed to withstand operating at their rated power for 100 hours in accordance with IEC 268-5 Power Handling Capacity (PHC) standards. Bosch has also developed the Simulated Acoustical Feedback Exposure (SAFE) test to demonstrate that they can withstand two times their rated power for short durations. This ensures extra reliability under extreme conditions, leading to higher customer satisfaction, longer operating life, and much less chance of failure or performance deterioration.

Safety	acc. to EN 60065
Water protected	acc. to EN 60529, IPx4

Region	Certification
Europe	CE

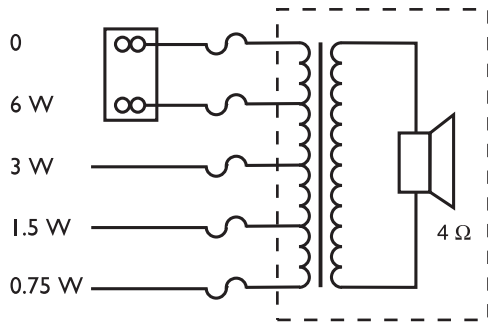
**Installation/configuration notes**

Installation is easy with integral clips that securely hold the ceiling loudspeaker in its cut-out. Ceilings from 9 to 25 mm thick can be accommodated. A template is also provided for accurately marking the cutout in ceiling panels. Wiring is via a connection block with push-type terminals, making installation possible without using any special tools. The terminal blocks have provision for loop-through wiring. The transformer is delivered wired for 6 W rated output power, but can easily be changed for other connections using the color-coded wires and terminal block.

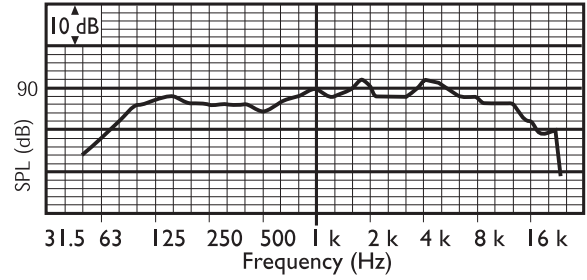


- 0 Clamp
- 1
- 0 Matching transformer
- 2
- 0 Terminal block
- 3

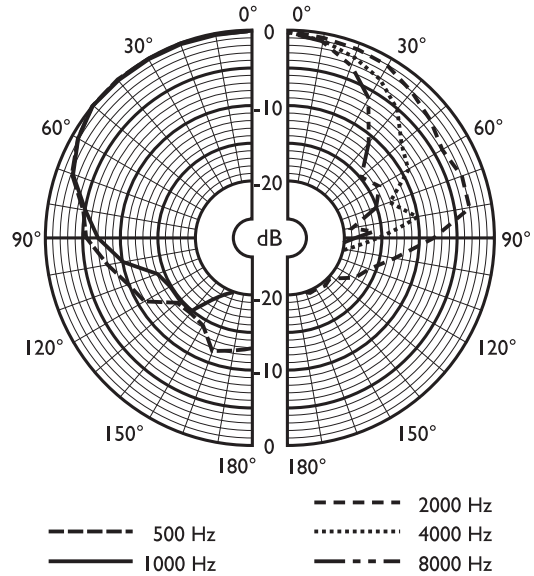
Dimensions in mm (inch)



Circuit diagram



Frequency response



Polar diagram

	125 Hz	250 Hz	500 Hz	1 kHz	2 kHz	4 kHz	8 kHz
SPL 1.1	87	87	85	88	89	89	86
SPL max.	95	95	93	96	97	97	94
Q-factor	4	5.6	2.2	3.2	4.6	10.7	19
Efficiency	0.16	0.11	0.18	0.25	0.22	0.09	0.03
H. angle	180	180	180	170	160	80	60
V. angle	180	180	180	170	160	80	60

Acoustical performance specified per octave

**Technical specifications**

**Electrical\***

Maximum power	9 W
Rated power	6 / 3 / 1.5 / 0.75 W
Sound pressure level at 6 W / 1 W (1 kHz, 1 m)	96 dB / 88 dB (SPL)

Sound pressure level at 6 W / 1 W (4 kHz, 1 m)	99 dB / 91 dB (SPL)
Effective frequency range (-10 dB)	60 Hz to 18 kHz
Opening angle at 1 kHz/4 kHz (-6 dB)	170° / 80°
Rated voltage	100 V
Rated impedance	1667 ohm
Connector	2-pole push-in terminal block

\* Technical performance data acc. to IEC 60268-5

### Mechanical

Diameter	160 mm (6.30 inch)
Maximum depth	95 mm (3.74 inch)
Ceiling thickness	9 to 25 mm (0.35 to 0.98 inch)
Mounting cut-out	145 mm (5.71 inch)
Speaker diameter	101.6 mm (4 in)
Weight	690 g (1.52 lb)
Color	White (RAL 9010)
Magnet weight	101 g (3.57 oz)

### Environmental

Operating temperature	-25 °C to +55 °C (-13 °F to +131 °F)
Storage temperature	-40 °C to +70 °C (-40 °F to +158 °F)
Relative humidity	<95%

### Ordering information

#### LBC 3951/11 Ceiling Loudspeaker

Ceiling loudspeaker 6 W, circular metal grille with an ABS surround, integral clips for easy mounting, push terminal block, white RAL 9010.

Order number **LBC3951/11**

#### Accessories

##### LBC 1256/00 EVAC Connection Adapter

Emergency connection adapter, 3-pole screw ceramic connector with a pre-mounted thermal fuse, to be installed in series with the 100 V primary connection of a loudspeaker unit, set of 100 pieces.

Order number **LBC1256/00**

#### Represented by:

##### Americas:

Bosch Security Systems, Inc.  
12000 Portland Avenue South  
Burnsville MN 55337, USA  
Phone: +1-800-392-3497  
Fax: +1-800-955-6831  
audiosupport@us.bosch.com  
www.boschsecurity.com

##### Europe, Middle East, Africa:

Bosch Security Systems B.V.  
P.O. Box 80002  
5617 BA Eindhoven, The Netherlands  
Phone: + 31 40 2577 284  
Fax: +31 40 2577 330  
emea.securitysystems@bosch.com  
www.boschsecurity.com

##### Asia-Pacific:

Robert Bosch (SEA) Pte Ltd, Security Systems  
11 Bishan Street 21  
Singapore 573943  
Phone: +65 6571 2808  
Fax: +65 6571 2699  
apr.securitysystems@bosch.com  
www.boschsecurity.asia

##### China:

Bosch (Shanghai) Security Systems Ltd.  
201 Building, No. 333 Fuquan Road  
North IBP  
Changning District, Shanghai  
200335 China  
Phone +86 21 22181111  
Fax: +86 21 22182398  
www.boschsecurity.com.cn

##### America Latina:

Robert Bosch Ltda Security Systems Division  
Via Anhanguera, Km 98  
CEP 13065-900  
Campinas, Sao Paulo, Brazil  
Phone: +55 19 2103 2860  
Fax: +55 19 2103 2862  
latam.boschsecurity@bosch.com  
www.boschsecurity.com